



WECHAT



WEB

Welcome to HEARKEN

Actuators and Controls

**Hearken
Here We
Can**

The Trusted, Passionate and focused Partner in Valve Automation

At HEARKEN FLOW, The founding principle of Hearkenflow is simple: to Listen our customers needs first, to develop the innovative valve actuators solutions , to meet the unique needs of our customers, Along the way, To help our customers to solve the problems in Valve Automation. We are growing our brand in Pneumatic and Electric Actuators, Accessories..



Experienced team



Large inventory



Convenient consultation

WHY WE ARE DIFFERENT

We offer a complete valve automation solution by the applications experience and customization capabilities, with an experienced support team to guide you in selection, installation, and project support. In addition we maintain an extensive supply of product inventory on hand so that we can quickly fulfill orders and reduce wait times. Our sales and support staff are readily available and accessible so that customers get the answers they need quickly.

THE TARGET WE ARE PURSUING



High-quality



low cost



Reliable solution

- To built A strong Reputation in Providing Quality, Cost Effective , Reliable And Robust Performance Solutions for Valve Automation,
- Included Pneumatic Actuators, Electrically Actuators, Actuated Valves.



COMMITMENT TO QUALITY

At HEARKEN FLOW means performance, All products manufactured by HEARKEN FLOW are warranted against defects in material and workmanship for a period of 18 months from the day of startup. Each of our products are tested at the factory. we are confident that our products meet or exceed all applicable standards before they ever leave our facility. We are an ISO 9001-2008 certified company. Our Valve Actuators Has Applied for SIL3 Certificate, ATEX Certificate ,CE, Explosion-proof Certificate, IP68 Weather proof etc....

APL230 Valve Position Monitoring Switch

Description



The APL230 series limit switch box provides a compact design and the most economical solution for both visual and remote electrical indication of rotary valve/actuator position. Integral NAMUR mounting legs provide additional cost saving by eliminating the need for a separate mounting bracket. The switch options available make the SP series suitable for use in IP65 weather proof applications and also intrinsically safe applications.

Parameter

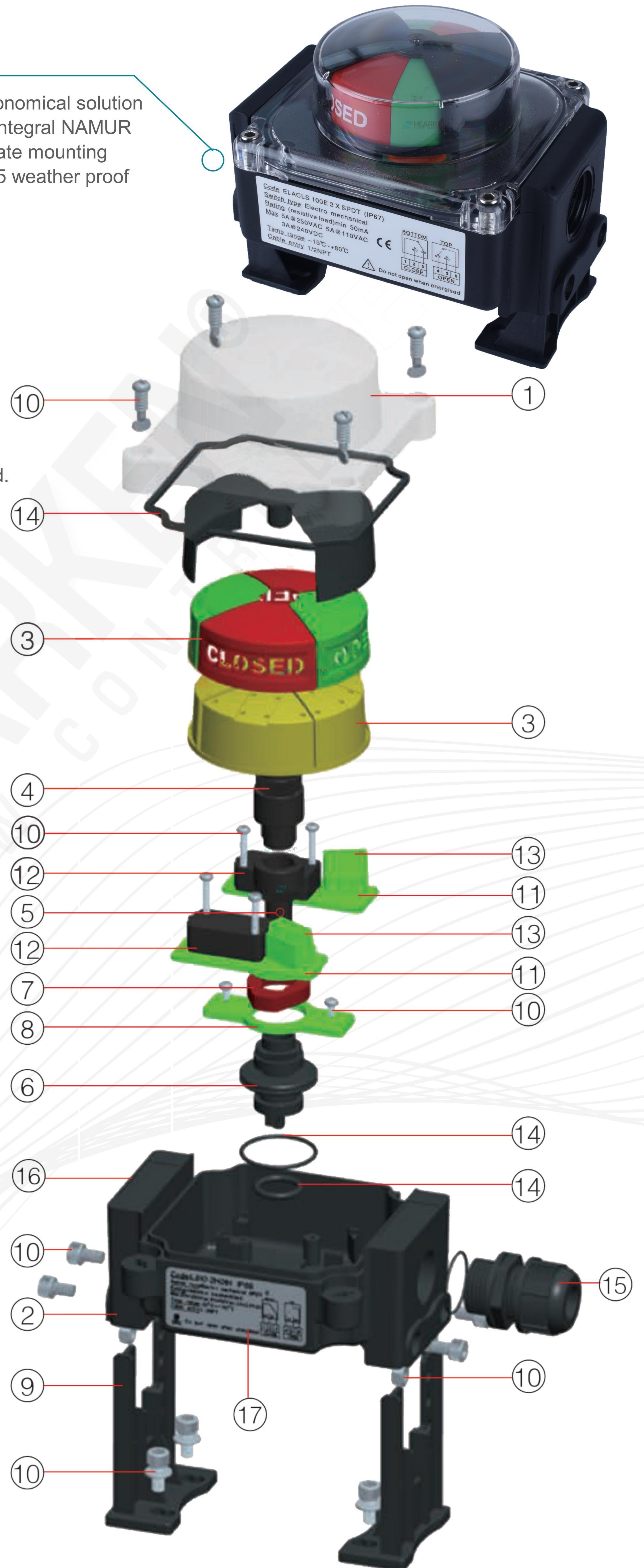


Temperature range: standard -20°C +80°C
 Temp. range may vary due to switch range.
 Electrical according to switch option
 Consult "B02003-E-SWITCH_DATA" bulletin for switch
 Level of protection: conform to IP65 NAMUR 4 and 4X weather resistance standard.

Material



No.	Part	Material
1	Cover	PC
2	Body	PPO
3	Instruction	ABS
4	Upper shaft	PA
5	Intermediate shaft	PA
6	Lower shaft	PA
7	Cam	PC
8	Platen	PC
9/1	Connecting frame	PA
9/2	Connecting frame	SUS304
10	Fasteners	SUS304
11	PCB	RCC
12	Position monitoring switch	E-switch
13	Terminal block	DINKLE
14	O-ring	NBR
15	Cable connector	Nylon
16	Brand	
17	Label	PVC



Design Feature

EXTERNAL DESIGN

APL230 limit switch appearance design is exquisite. The external size is small, which is suitable for each size of actuator. The upper cover and the shell's fastening and the disassembly design have the spring to fix, it is very convenient in installation, as long as to press and revolve 90 degrees with the cross screwdriver



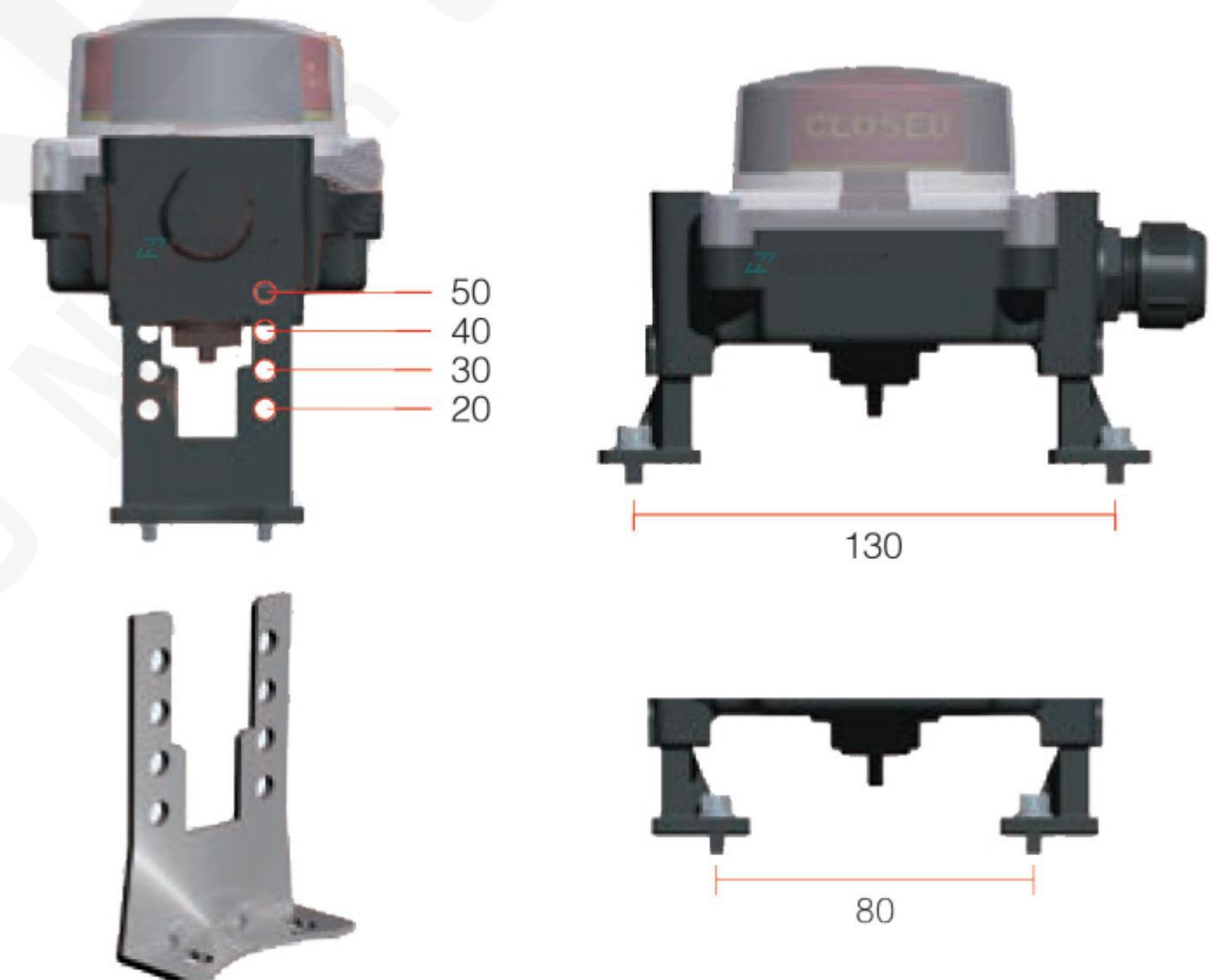
ON-SITE DISPLAY

In order to see the real-time valve location, LS limit switch has the three-dimensional indicator for on-site display position: It may adjust according to the different angle of view direction to adjust the display's angle and to facilitate real-time observation on the top and side for the valve's correct position.



INTEGRAL MOUNTING BRACKET

APL230 housing incorporates integral mounting legs and drive shaft that conform to NAMUR VDINDE3845 international dimension standards. Using a single adjustable sliding bracket it is possible to fit LS switchboxes onto any VDIDE3845 actuator. Both 30x80 and 30x130 top pattern and 20mm, 30mm, 40mm and 50 mm pinion height can be matched with a single bracket. This maximizes interchangeability plus reduces cost by eliminating need for bracket and coupler



HIGH THICKNESS CABLE ENTRY

APL230 switch box is provided with a M20x1.5 (1/2" npt/for PG13.5 as option) cable entry. SP cable entry has a 15 mm (1/2") thickness thread. This feature prevents housing damage due to very heavy cables or cable glands. No back nut are required to fit cable glands



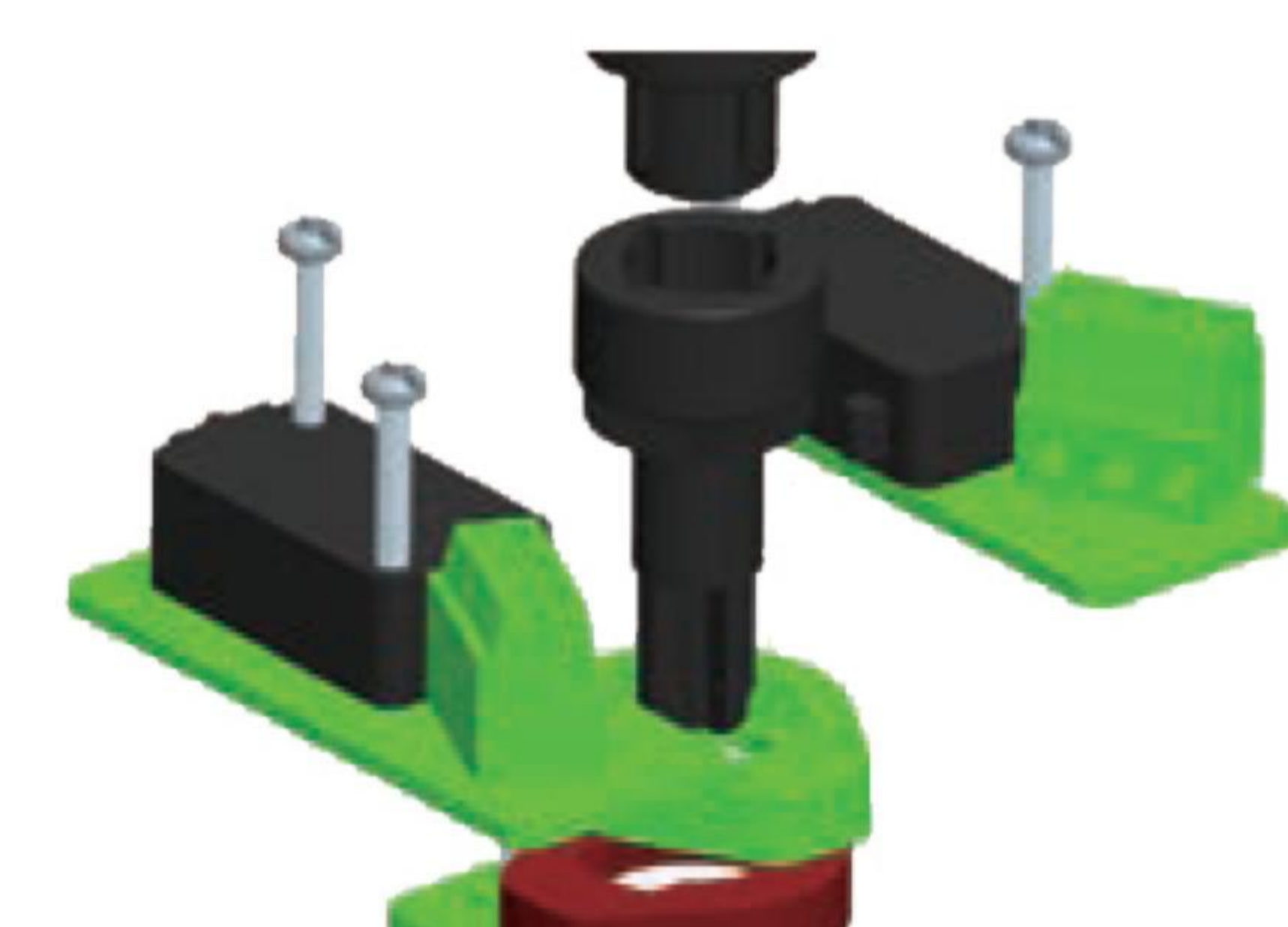
CAM

The convenient installment cam is the female spline form, every time for adjustment is 3°, which may adjust at will, and has the good shockproof function.

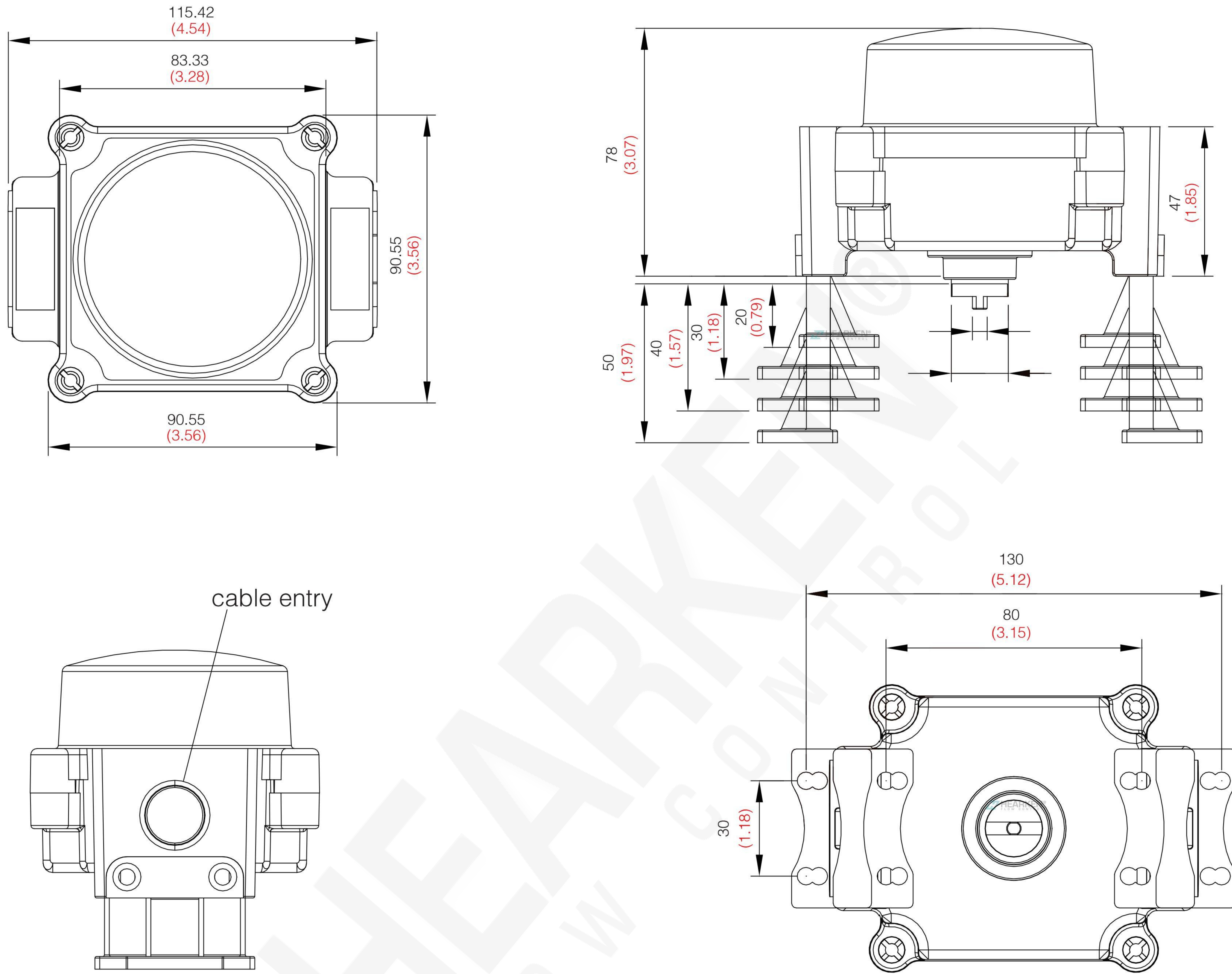


SWITCH OPTIONS

Mechanical switches are available for general purpose applications. Gold plated mechanical switches or proximity PNP are available for low current applications. Inductive proximity NAMUR switch option provides an effective choice for intrinsically safe applications ATEX certificate (consult SIP bulletin)



Dimension



Wiring Diagram

Code: APL230 IP65


Switch type: Electro mechanical SPDT

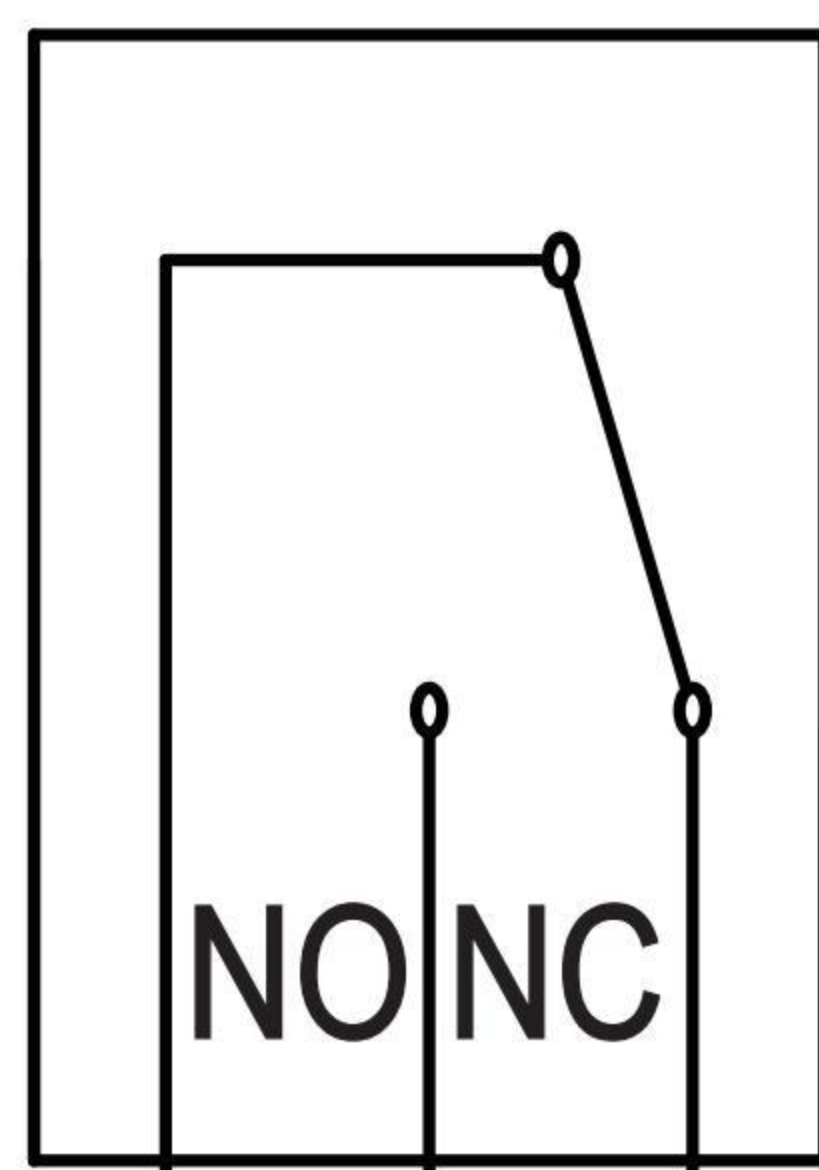
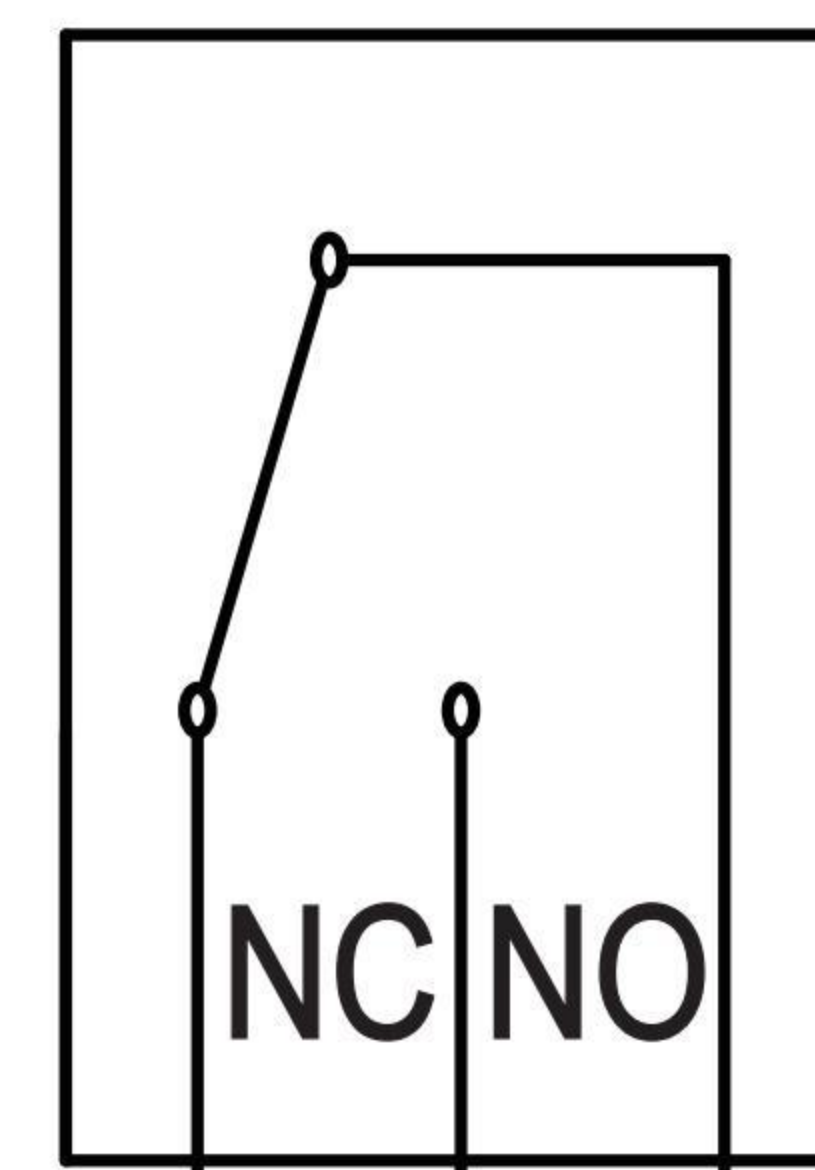
Rating: (resistive load) min. 50mA

Max. 5A@250Vac, 5A@110Vac, 3A@24Vdc

Temp range: -15°C ~ +80°C

Cable entry: G1/2

 **Do not open when energised**

BOTTOM			TOP		
					
1	2	3	4	5	6
CLOSE			OPEN		